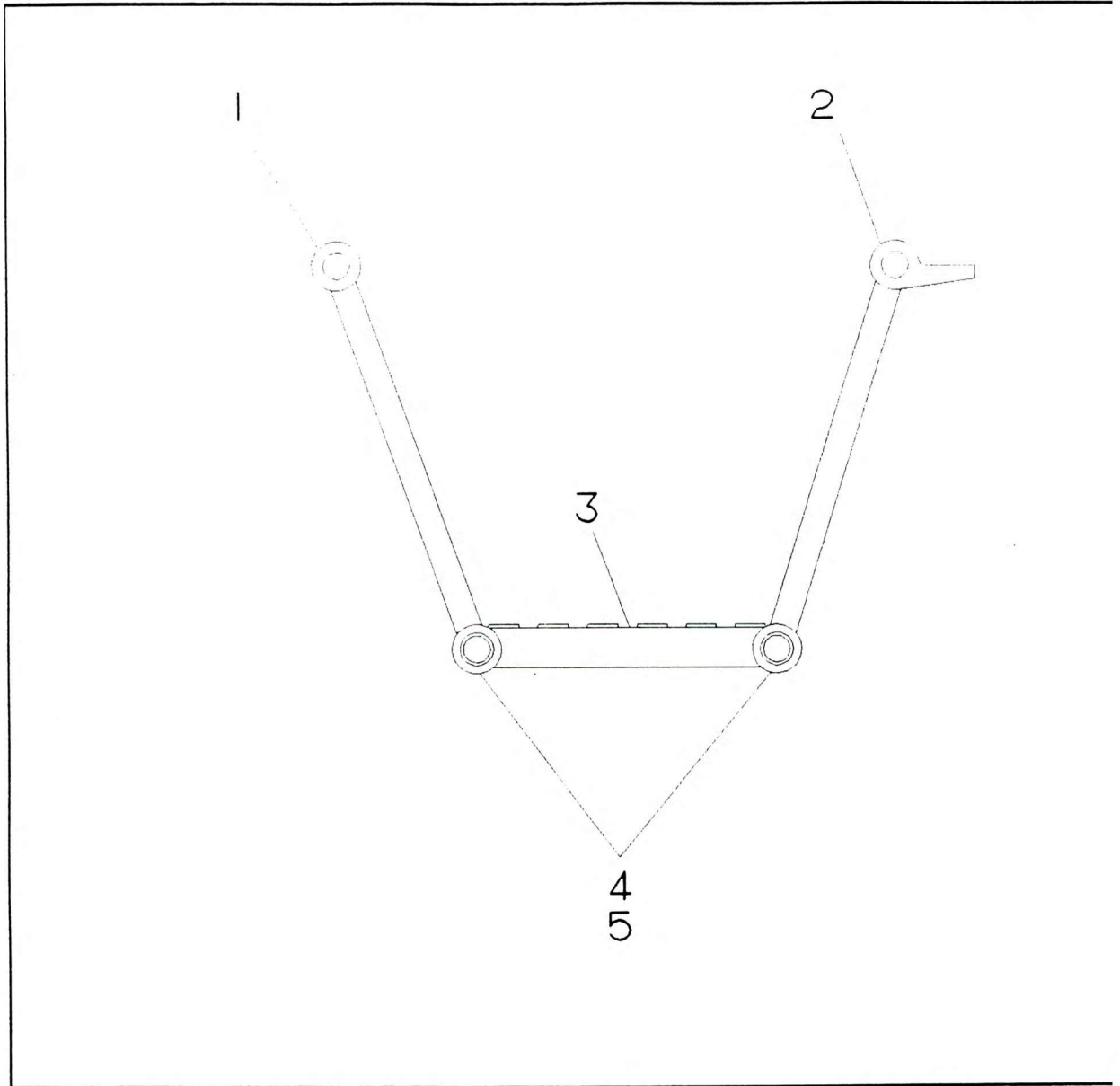


STEP - FOLDING (SUB ASSY) RH



NO.	PART NO.	QTY.	DESCRIPTION	NO.	PART NO.	QTY.	DESCRIPTION
1	6-059-990100	1	Bar Support Assy				
2	6-059-990103	1	Bar Support Assy RH				
3	6-290-990166	1	Channel Weld				
4	7066619	2	Washer Plain 20m Dia.				
5	7072035	2	Pin Split 3 x 40				